



LUMICOMM TOUCH RING QUICK START GUIDE

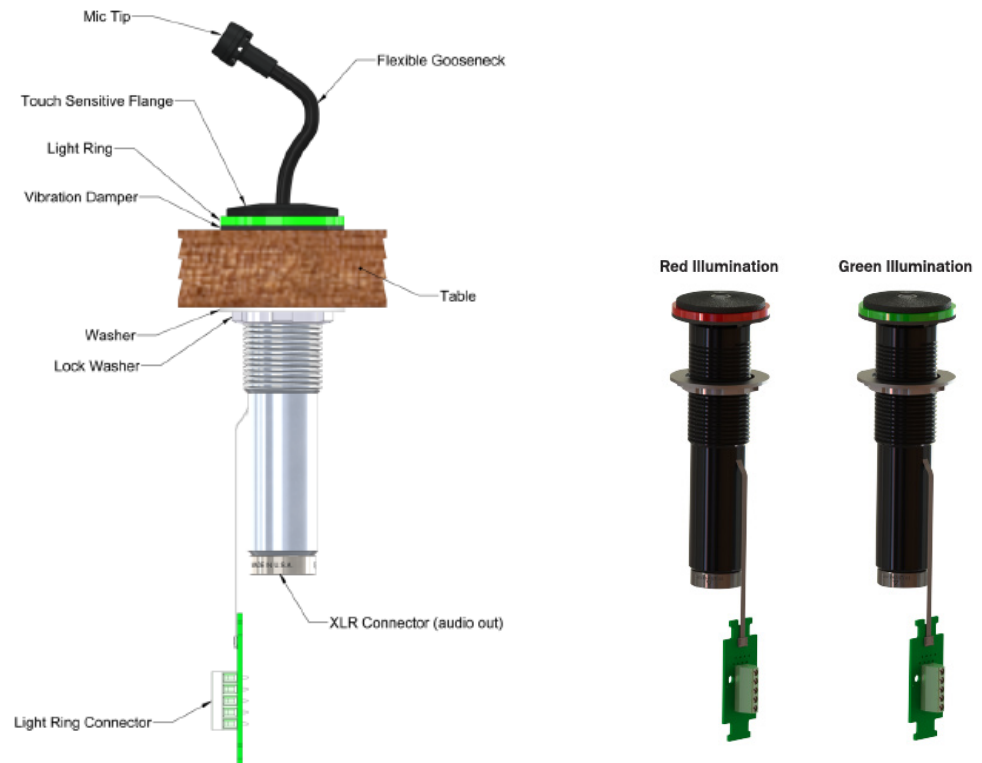
READ THIS BEFORE USING A LUMICOMM TOUCH RING.

The Earthworks LumiComm Touch Ring features a dual-color LED light ring and a touch sensor output. The logic-controlled LumiComm Touch Ring provides total freedom to assign function and LED color.

- Engineered for a wide supply voltage range. (From 8-28 VDC regulated supply - no external LED resistors needed.)
- Touch sensitive flange that provides a pull down touch sensor output (Active Low).
- Light diffuser to houses 10 LEDs providing side illumination (5 Green, 5 Red).
- Current consumption 85mA with 5 LEDs lit and 170 mA with 10 LEDs lit.
- Supplied with either a 5 pin RJ45 connector or a 5 pin Phoenix connector.

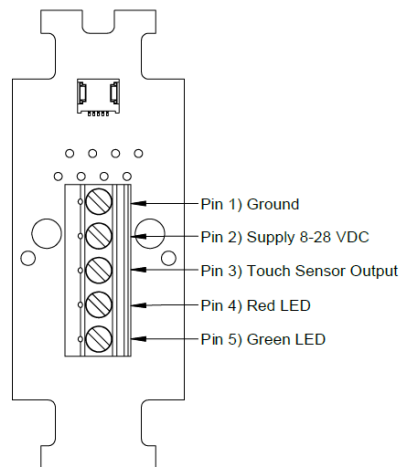
Installation

Install the microphone into a tabletop as shown. Use the included Phoenix or RJ45 connector to wire the microphone to an automatic mixer or other logic device.

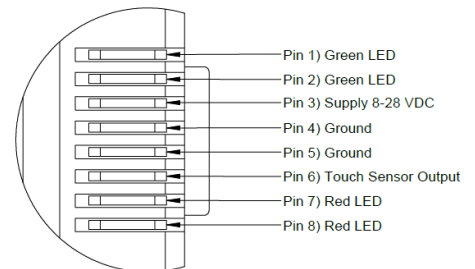


CONNECTORS

PHOENIX CONNECTOR

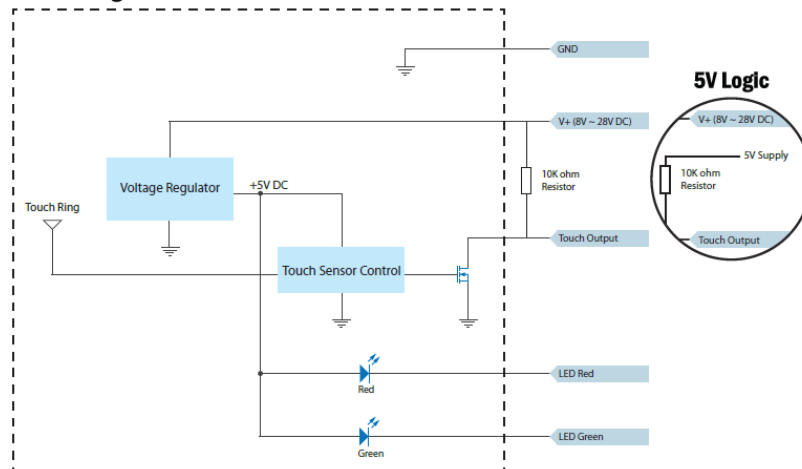


RJ45 CONNECTOR



LOGIC CONNECTION

8V - 28V Logic



Note: Always check your power supply polarity before connecting your supply to the LumiComm. The 10k resistor is not needed if using a Creston, Biamp or ClearOne controller, as these controllers are already equipped with pull up resistors. If using a controller that does not have a pull up digital input, then a 10k resistor may be needed externally. The LED pins need to be connected to digital outputs (contact closure or open collector) that can sink at least 85 mA each.