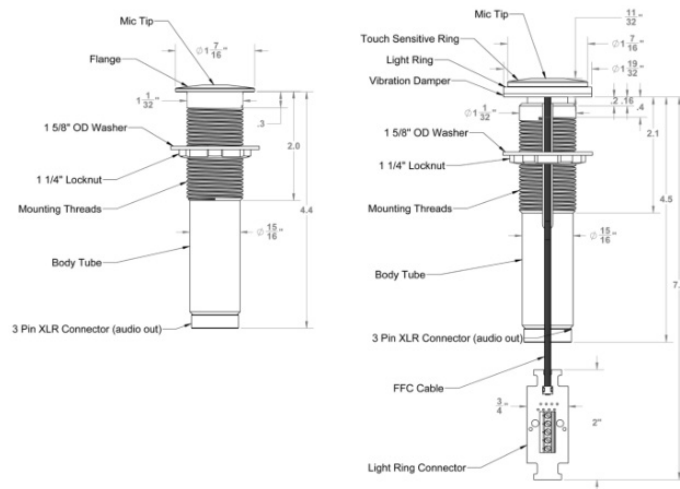




IMDL1 INSTALLATION QUICK START GUIDE

READ THIS BEFORE INSTALLING YOUR IMDL1 BOUNDARY MICROPHONE.



The IMDL1 boundary microphone is to be installed on a stiff surface such as a table, a ceiling, or a wall. The mounting hole is $\text{Ø } 1\frac{1}{16}$ " (27 mm). The rubber vibration damper ring provides mechanical isolation from the mounting surface, and therefore offers effective sound isolation of the microphone. Do not overtighten the washer, as this reduces shock isolation.

For optimal sound quality, the IMDL1 should be installed a minimum of 18 inches (45.72cm) from the edge of the table. The recommended range of angles for optimal sound quality is from 25° to 45°.

FOLLOW THESE STEPS TO INSTALL YOUR IMDL1 MICROPHONE:

1. Drill a $1\frac{1}{16}$ " mounting hole through the tabletop.
2. Insert the LumiComm™ touch ring connector board and its FFC cable through the mounting hole, followed by the microphone's body.
3. Insert the LumiComm™ touch ring connector board through the washer and locknut before threading the locknut onto the microphone body. **DO NOT OVER-TIGHTEN THE LOCKNUT.**
4. Secure the LumiComm™ touch ring connector board to the microphone body using either tie wraps or velcro.
5. Install a RJ45 connector for the LumiComm™ touch ring.
6. Install an XLR audio cable.

NOTICE: Never attempt to disconnect the LumiComm touch ring connector board from the FFC cable. This connector is glued in place at the factory.