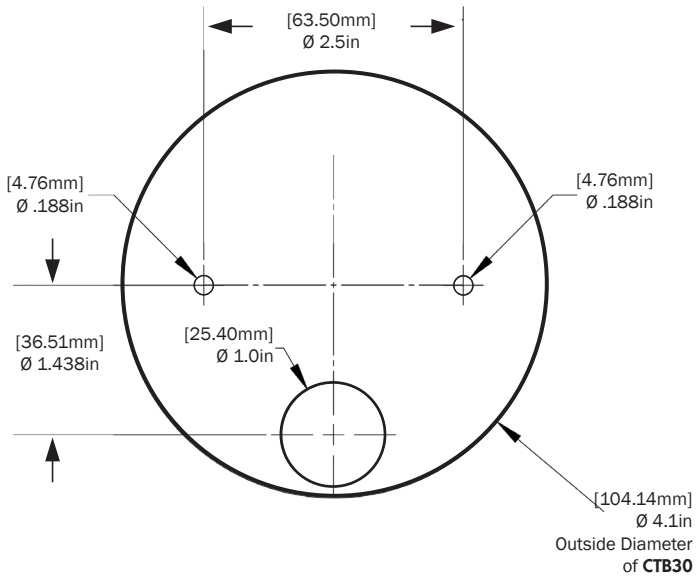
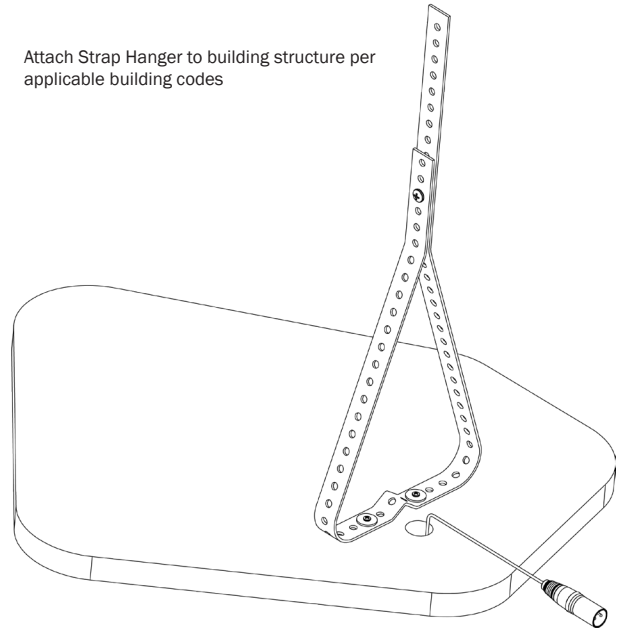


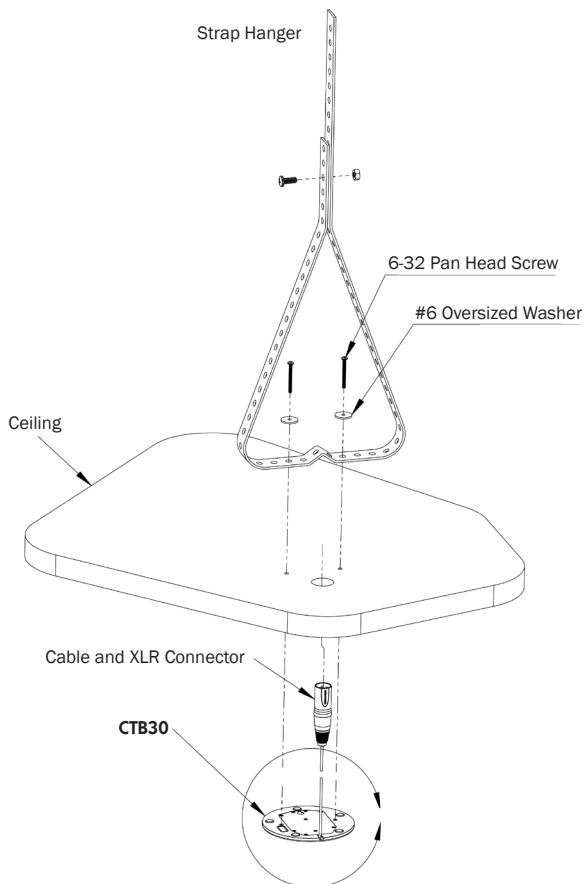
Template for Mounting Holes



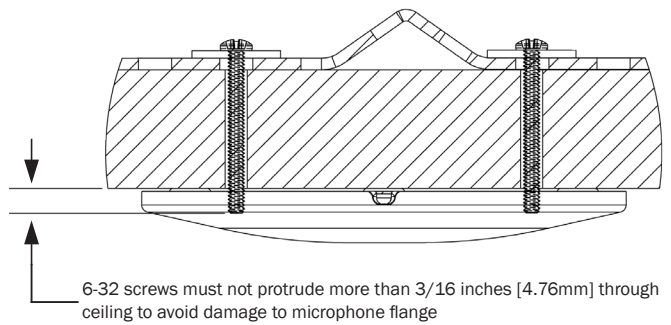
Template for Mounting Holes



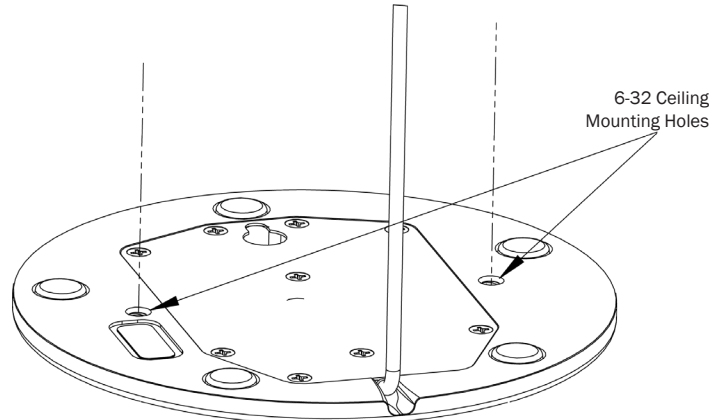
CTB30 Ceiling Installation



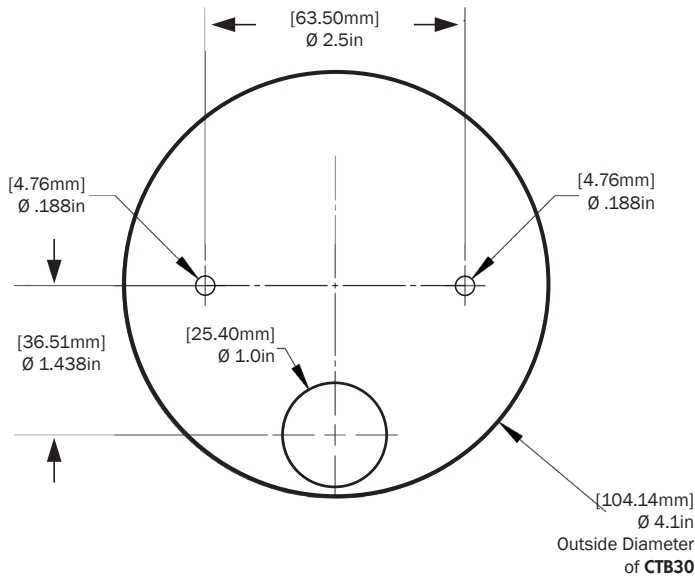
Cross Section View



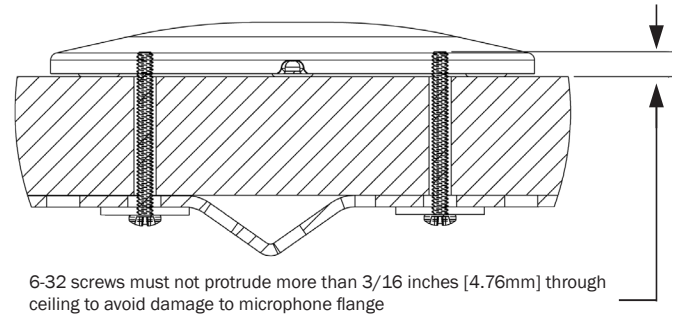
Bottom of CTB30



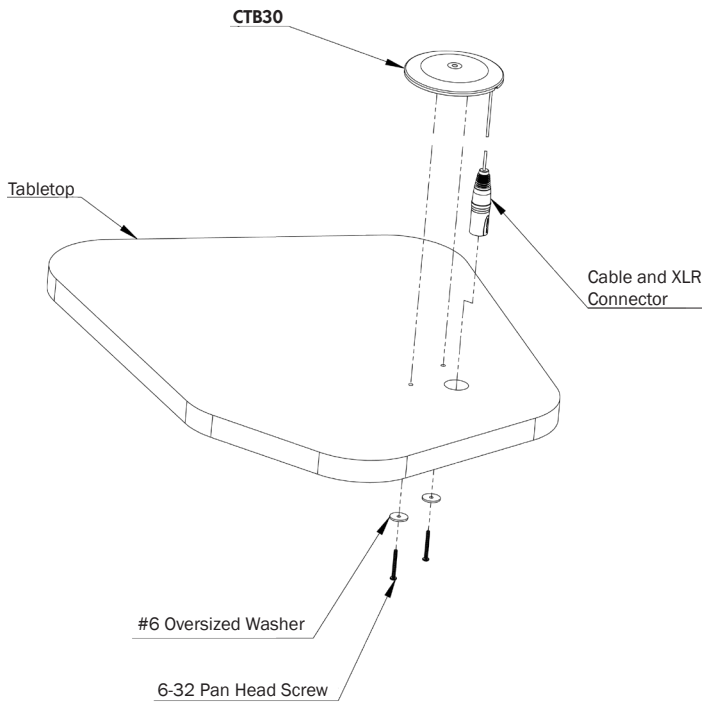
Template for Mounting Holes



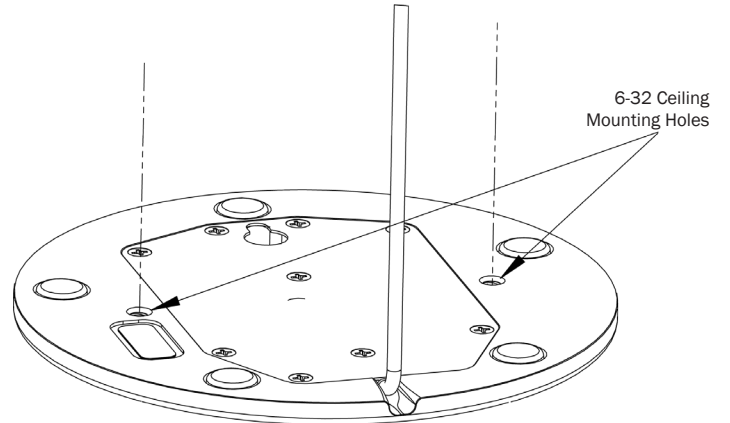
Cross Section View



CTB30 Tabletop Installation



Bottom of CTB30



Bottom of Table

