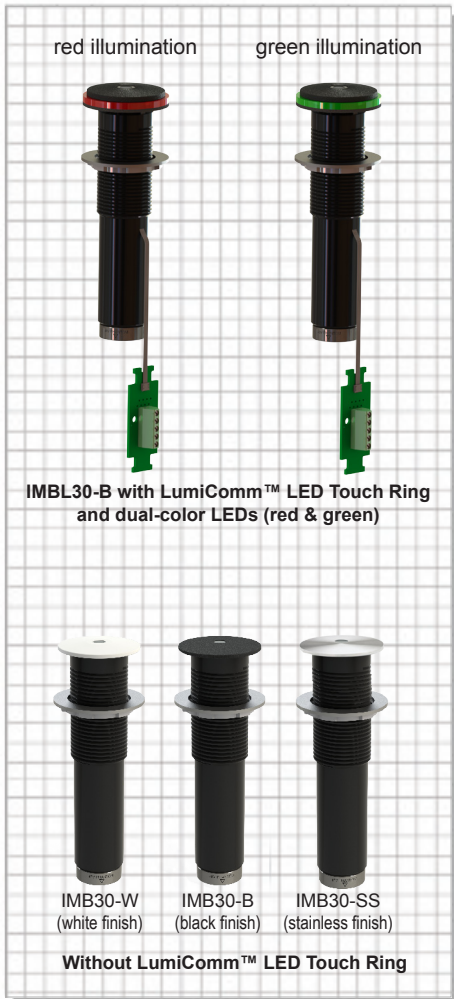


IMB & IMBL High Definition Boundary Microphones™

For Boardrooms, Teleconferencing & Government Facilities

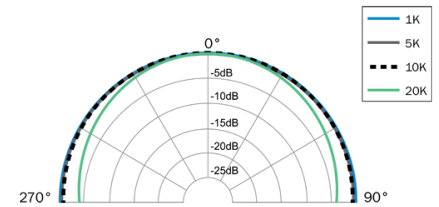


Architectural & Engineering Specifications

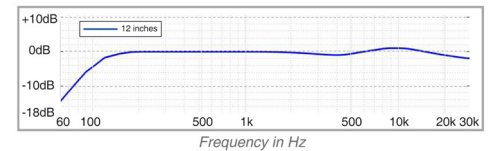
30kHz Omni

The microphone shall be a back-electret condenser type with a wide-range uniform frequency response of 60 Hz to 30kHz -3dB. The microphone shall be of a single capsule, single membrane design with an impulse response rise time no longer than 25 microseconds, and total settling time, including rise time, no longer than 120 microseconds. The microphone shall have polar characteristics uniform in all planes to form an omni hemisphere of revolution and shall accept sound pressure levels up to 136dB producing no more than 3%THD. IMBL models shall have a LumiComm™ dual-color touch ring with colors of red and green, which are externally powered by 8-28 VDC @ 85-170mA via a Phoenix or RJ45 connector mounted on the microphone's external pc board. The touch ring will emit a momentary digital pulse from its external pc board connector to activate external systems or equipment. The microphone shall be resistant to RF interference from cell phones and other RF devices. The microphone body threading shall use the NPT standard of 1.660 in. (42.16mm) outer diameter 0.08696 in. (2.20878mm) thread pitch. The microphone shall be terminated with a male XLR-3 connector and shall require 24-48V phantom power. The microphone shall be made of metal with a choice of finish. The Earthworks IMBL30 light ring model, or IMB30 non-LED model (in black, white or stainless) is specified.

- **High Definition Boundary Microphones™ for Conference Rooms and Fixed Sound Installations**
- **True Semisphere™ Polar Response (near-perfect frequency response at 0°, 45° & 90°)**
- **Very High Intelligibility**
- **LumiComm™ Programmable LED Touch Ring (with red and green LEDs)**
- **Non-Touch Ring Models Available**
- **Can be Installed in Conference Tables (includes lock nut)**
- **60Hz to 30kHz Frequency Response**
- **RF Shielding against cell phones and other RF devices**
- **136dB Max Acoustic Input**
- **Requires 24-48V Phantom Power**
- **Available in Black, White or Stainless Steel**



Polar Response



Frequency Response

High Definition Boundary Microphones™ for Fixed Installations

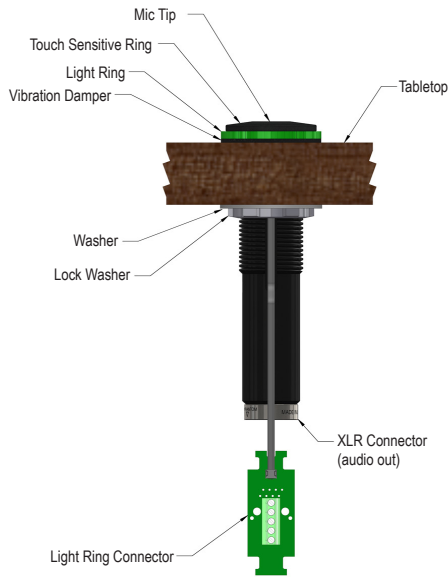
The Earthworks IMB & IMBL Series™ High Definition Boundary Microphones™ are the perfect choice for high quality sound system installations. You will experience clarity and intelligibility as never before. The exceptional extended high frequency response, remarkably fast diaphragm settling time and near-perfect polar response all work together to provide the world's best boundary microphones. The IMB & IMBL Series™ provides you with the perfect low profile solution for conference tables, conference rooms and a wide variety of sound installations, while providing the ultimate in sound quality.

Near-Perfect Polar Response

David Blackmer, founder of dbx® and Earthworks® invented a number of new microphone technologies resulting in a totally new approach to microphone design. One such technology was the creation of near-perfect polar response. When you look at the polar response of an Earthworks microphone, the mid-frequencies, high-frequencies and low-frequencies all look very close to a "textbook" perfect polar pattern. In practice this means the polar response of an Earthworks microphone is extremely uniform over its operating frequency range; the frequency response at 90° and 180° off-axis is very close to the on-axis response. This uniform polar response results in less phase problems and much higher intelligibility at the sides of the microphone.

Specifications & Dimensions are on back of this page





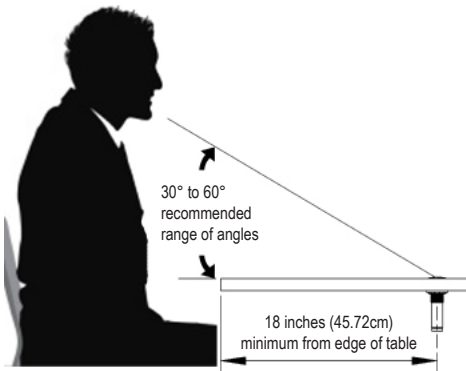
IMB30



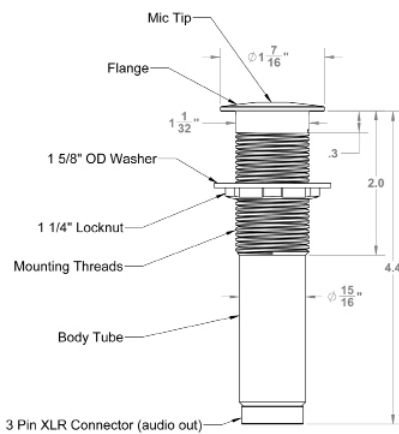
IMBL30



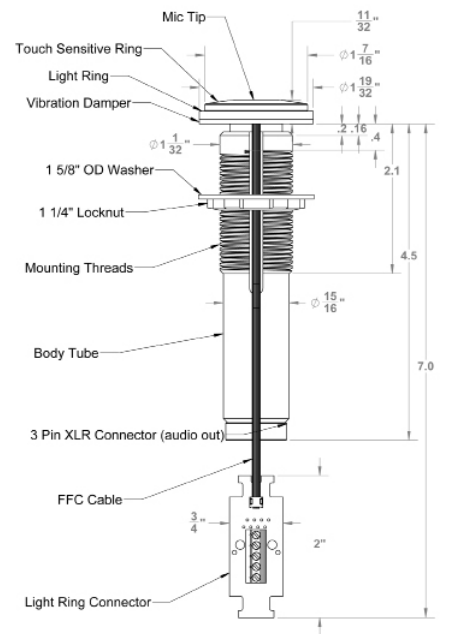
Recommended Microphone Placement



IMB Dimensions



IMBL Dimensions



Installation

- Mounting hole: \varnothing 1 1/16" (27 mm)
- Install in a hard surface, such as a table, ceiling or wall.
- Vibration damper provides isolation from mounting surface.
- Do not overtighten washer, as this reduces shock isolation.

IMB SERIES SPECIFICATIONS

- Frequency Response:** 60Hz to 30kHz -3dB @ 1 ft. (30cm)
- Polar Pattern:** Omni Hemisphere
- Sensitivity:** 60mV/Pa
- Power requirements:** 24-48V Phantom, 10mA
- Max Acoustic Input:** 136dB SPL
- Output:** XLR-3 (pin 2+)
- Output Impedance:** 65 ohms balanced
- Min. Output Load:** 1K between pins 2 & 3
- Noise:** 20dB SPL (A weighted)
- Light Ring LED Colors:** Dual Red or Green
- Light Ring Connector:** Phoenix or RJ45
- Light Ring Voltage:** 8-28VDC @ 85-170mA
- Light Ring Activation:** Momentary Digital Pulse
- Microphone Color:** Black, White or Stainless Steel
- Dimensions:** See drawings on right side of page
- Weight:** 0.28 lbs. (125g)